

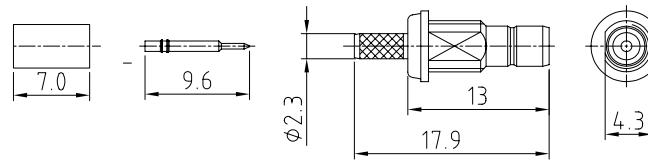
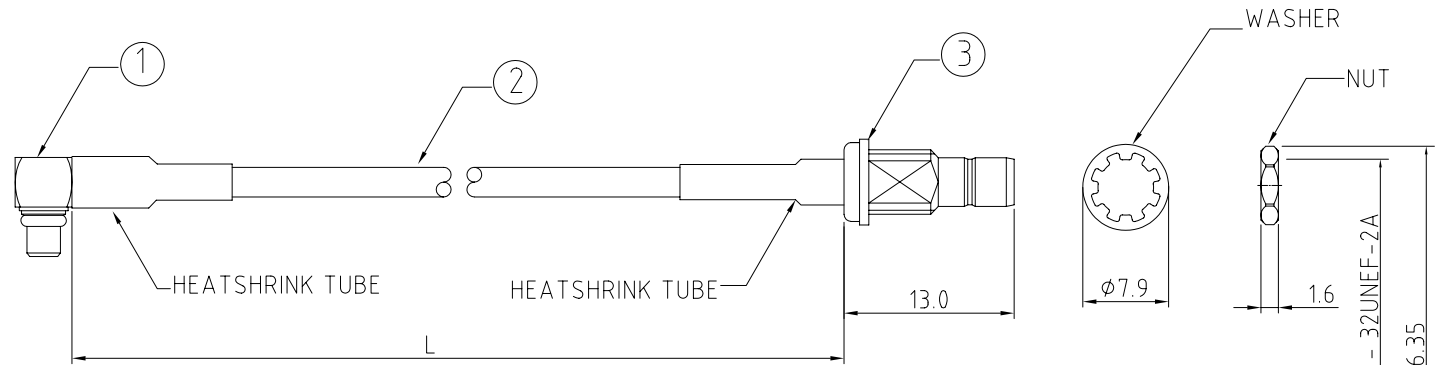
CABLE 099 RF: RF CABLE ASSEMBLY, MMCX R/A PLUG + SMB BULKHEAD JACK + RG174 CABLE

SPECIFICATIONS :

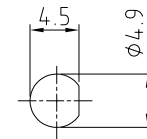
1. MMCX RIGHT ANGLE PLUG (C05BA3F174001), GOLD
2. RG174 COAXIAL CABLE, BLACK
3. SMB BULKHEAD JACK (C04AB3F174006B), GOLD

NOTES:

1. THE ORIENTATION OF CONNECTORS ON DRAWING IS FOR REFERENCE ONLY, IF THE ORDER IS LEFT BLANK THE CONNECTOR WILL NOT HAVE FIXED ORIENTATION.
2. FIXED ORIENTATION IS POSSIBLE FOR CABLE LENGTH 25MM TO 220MM. PLEASE SPECIFY THE FIXED ORIENTATIONS FROM THE ORDER CODE (F1, F2, ETC)
3. CONTACT GRAD CONN IF THE ORIENTATION YOU REQUIRE IS NOT SHOWN.
4. WORKING FREQUENCY RANGE: DC 0-3GHz.



SMB JACK DETAIL DIMENSION



RECOMMENDED SMB MOUNTING HOLE

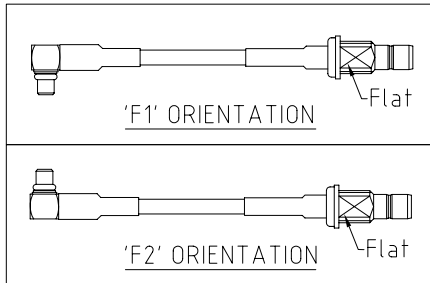
HOW TO ORDER

CABLE 099 RF - X X X X - XX - X

"L" LENGTH IN MM
 eg: 100MM = 0100
 (MIN. = 0050, MAX. = 2000
 STANDARD = 0100, 0150, 0200)
 Tolerance: <50mm: ±2mm.
 51-200mm: ±5mm.
 201-500mm: ±7mm.
 >501mm: ±10mm.

WASHER AND NUT OPTIONS:
 BLANK = SEPERATELY PACKED (STANDARD)
 A = ASSEMBLED WITH CONNECTOR

BLANK = DOES NOT HAVE A FIXED ORIENTATION
 F1 = MMCX CONNECTION DOWN (L=25-220MM)
 F2 = MMCX CONNECTION UP (L=25-220MM)
 (SEE NOTES 1, 2, 3 AND DIAGRAMS FOR MORE INFORMATION)



REV. DATE & DRN
 10 18/03/10 - CHC RELEASE
 11 19/04/10 - NYW
 ADD ORIENTATION OPTIONS.
 12 10/06/10 - NYW
 ADD NOTES *

Scale: NTS	THIRD ANGLE	Unstated .X .XX .XXX ANGLES	Tolerances: ±0.2 ±0.1 ±0.05 ±5	Material SEE NOTE
Drawn: CHC				
App'd: XXX	Title: CABLE ASSEMBLY	NOT TO SCALE		
Date: 2 JUN '10	Revision: 1.2	Unit: mm		

© THIS DRAWING IS CONFIDENTIAL AND MUST NOT BE COPIED OR DISCLOSED WITHOUT WRITTEN CONSENT

Type: Cable 099 RF
CABLE 099 RF
Drawing Number:
Sheet 1 of 1
Drawing © E and O E